

ASSEMBLY INSTRUCTIONS


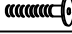


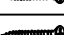
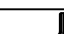


DAYBED (1096T/1296T)

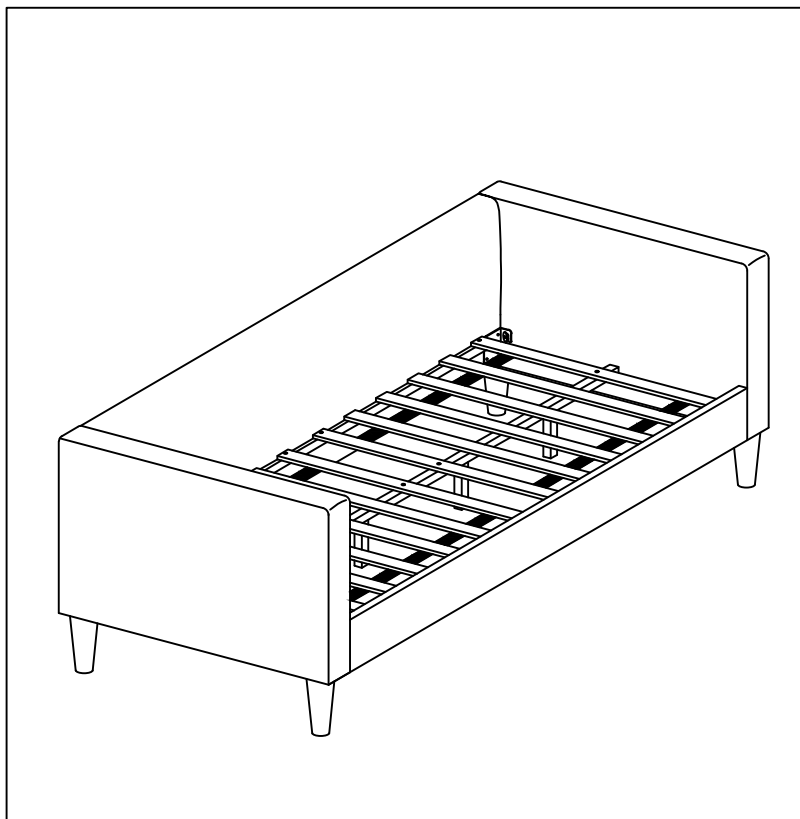
THANK YOU FOR PURCHASING THIS QUALITY PRODUCT. READ THIS INSTRUCTION CAREFULLY. SEE PART LIST AND HARDWARE LIST FOR GUIDANCE, BE SURE ALL PARTS ARE COMPLETE BEFORE YOU ASSEMBLE.

- CAUTIONS:
1. DO NOT FULLY TIGHTEN THE BOLTS UNTIL ALL BOLTS IS READY ASSEMBLED.
 2. DO NOT OVER TIGHTEN THE BOLTS TO AVOID CAUSING DAMAGES TO THE THREAD.
 3. KEEP ALL PART AND HARDWARE OUT TO REACH BY CHILDREN.

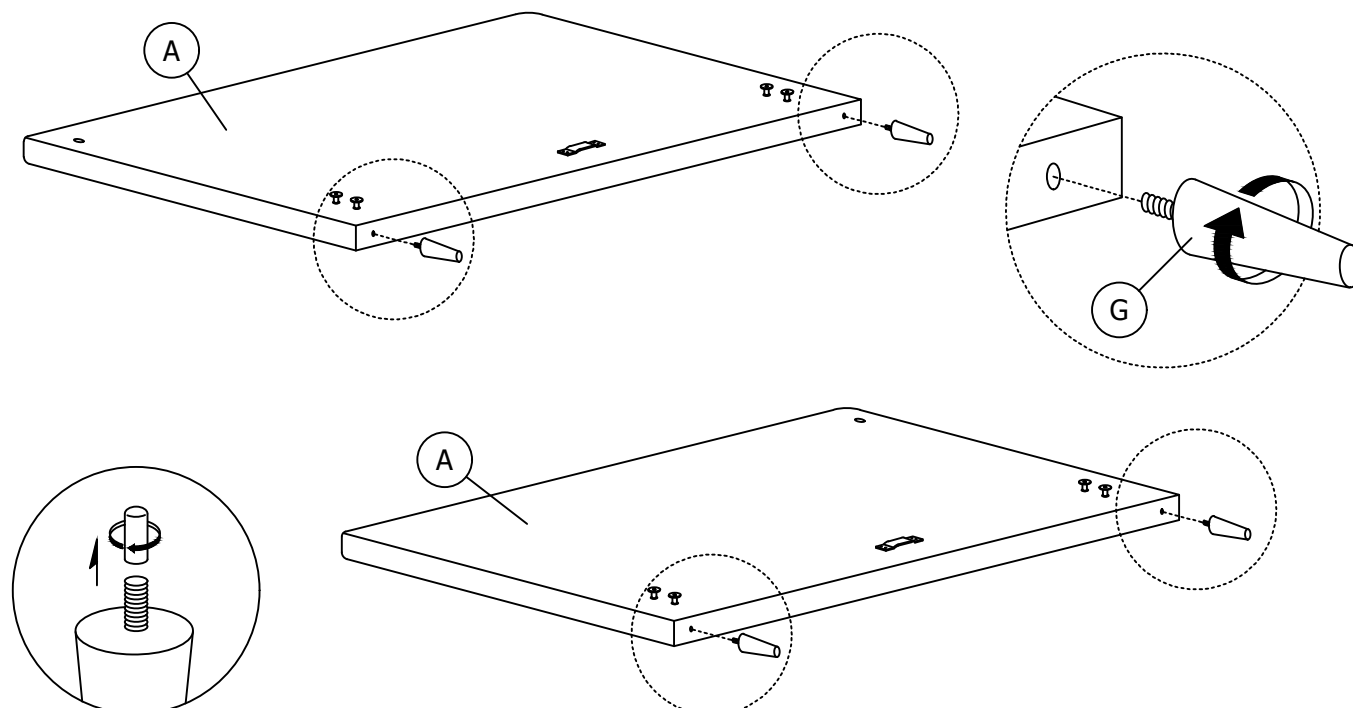
TOOLS NEEDED : SCREWDRIVER (NOT PROVIDED)

PART LIST		
ITEM	DESCRIPTION	QTY
A	SIDES (L & R)	2 PCS
B	BACK	1 PC
C	SIDE RAIL	1 PC
D	CENTER SUPPORT	1 PC
E	CENTER SUPPORT LEG	3 PCS
F	SLATS	2 SETS
G	BED LEG	4 PCS

HARDWARE LIST		
ITEM	DESCRIPTION	QTY
1	JCBC BOLT M6 x 60mm 	3 PCS
2	JCBC BOLT M6 x 35mm 	2 PCS
3	FLAT WASHER M6 x 19mm 	2 PCS
4	SPRING WASHER M6 x 12mm 	2 PCS
5	CSK SCREW M4 x 20mm 	2 PCS
6	CSK SCREW M4 x 38mm 	12 PCS
7	ALLEN KEY M4 	1 PC
8	ALLEN KEY M5 	1 PC



STEP 1

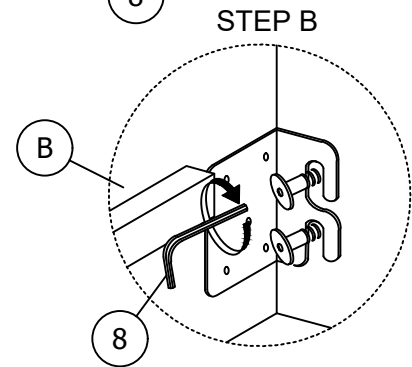
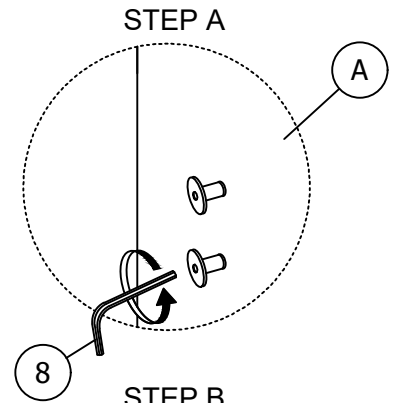
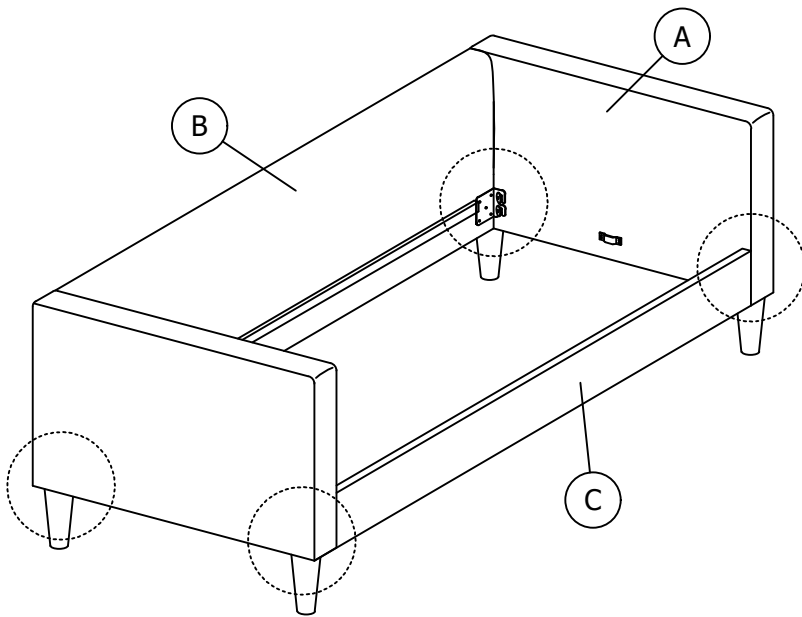
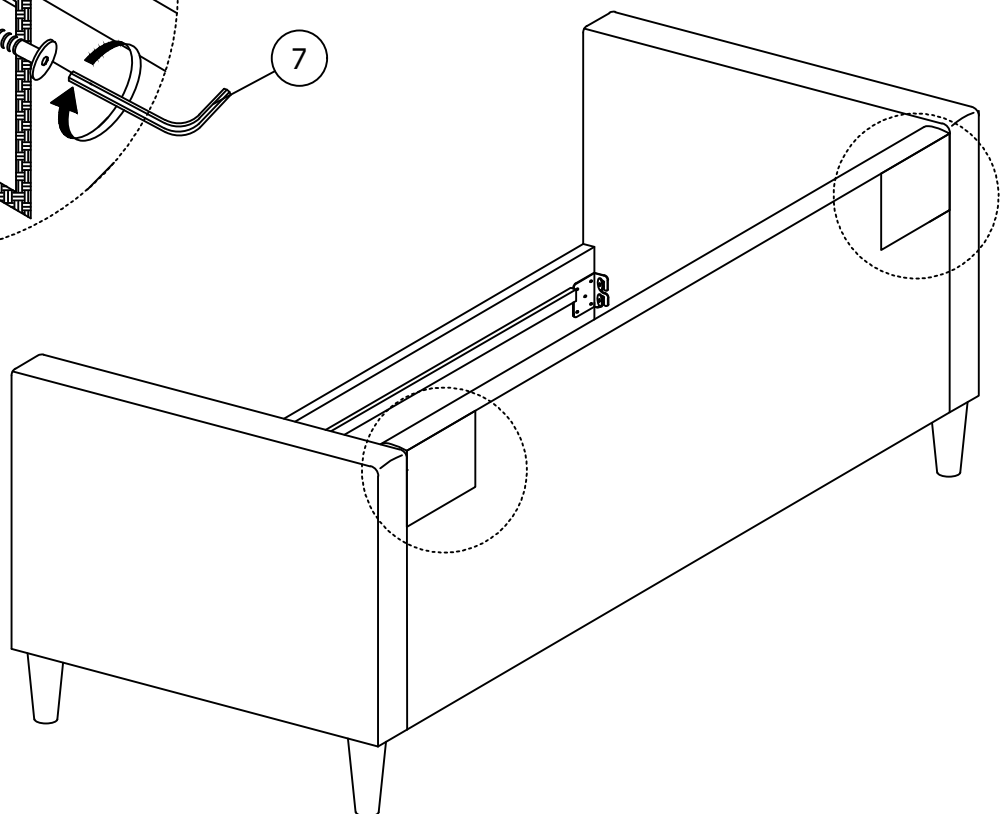
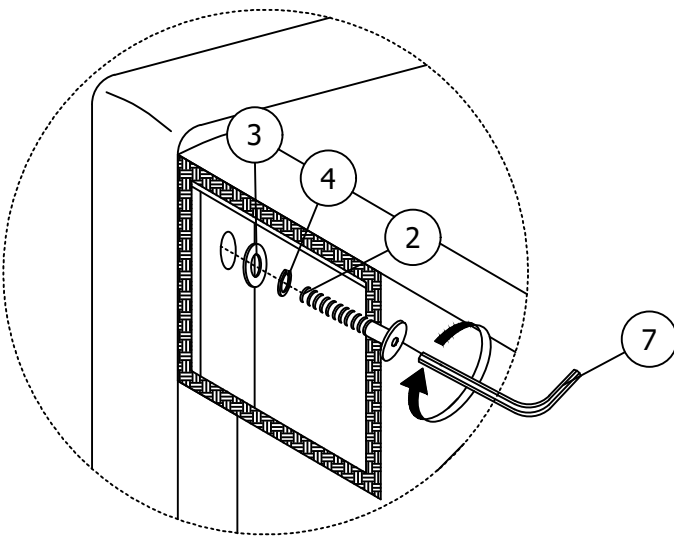


Reminder: Remove the plastic cap from leg before assembly.

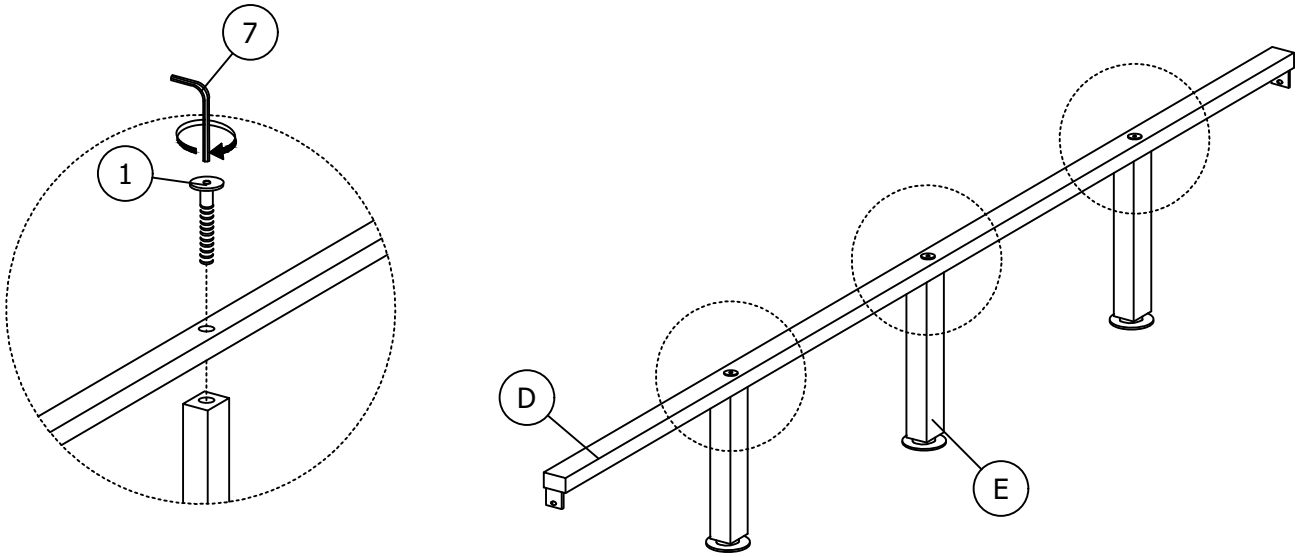
STEP 2

STEP A : Use the ALLEN KEY M5 (8) to turn loose all the JCBB BOLT and don't pull out.
Hang the BACK (B) & SIDE RAIL (C) to SIDES (A).

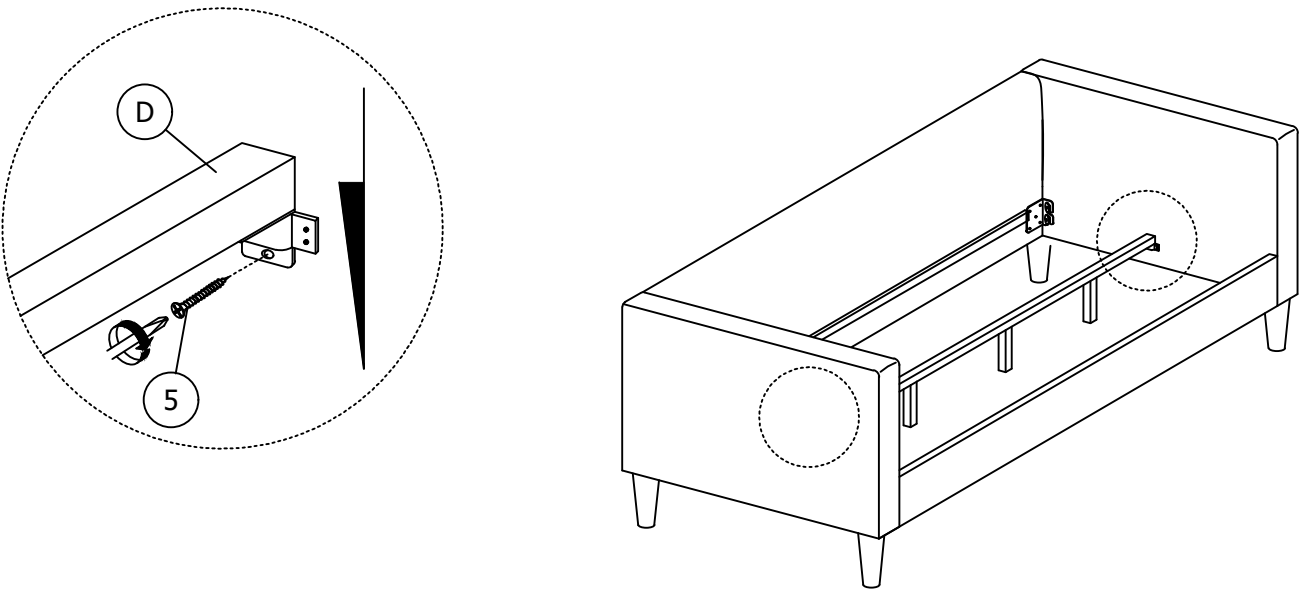
STEP B : Tighten all the JCBB BOLT after assembly the BACK (B) & SIDE RAIL (C).

**STEP 3**

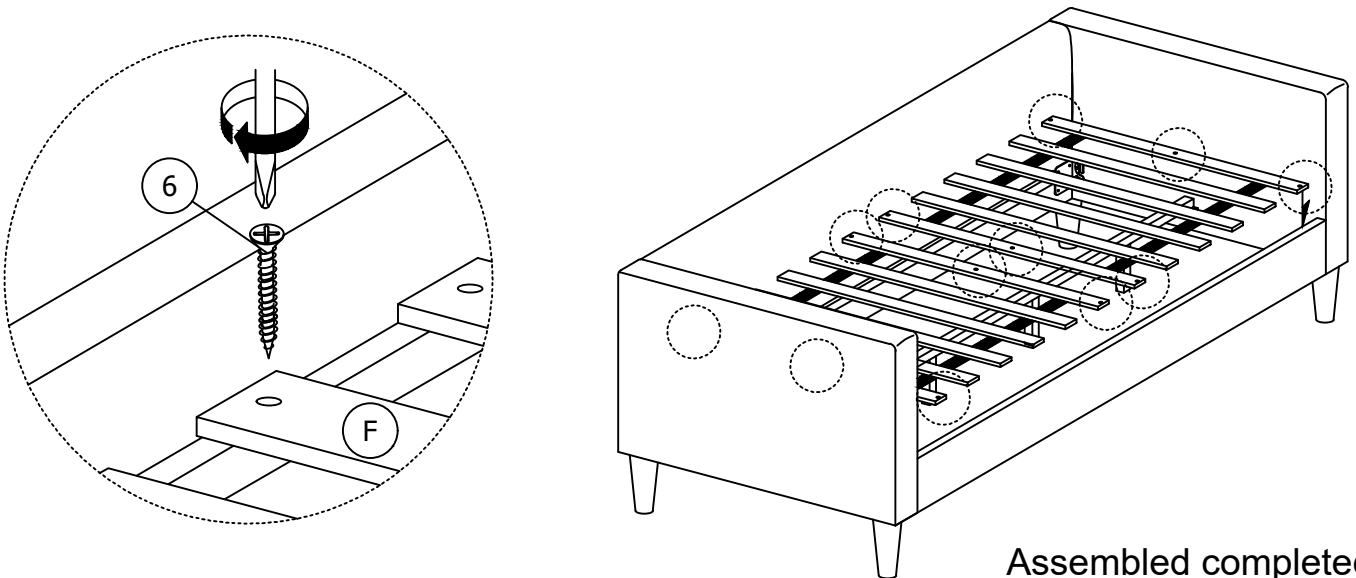
STEP 4



STEP 5



STEP 6



Assembled completed

* When moving daybed position, the center support leg levelers must be adjust up right to avoid breakage of the leg and center support.